

Technical data sheet



Product features

Lava stone grill gas 52x36 without cabinet

| | | |
|--------------|-----------------|----------|
| Model | SAP Code | 00110076 |
|--------------|-----------------|----------|



- Griddle dimensions [mm x mm]: 520 x 360
- Container for liquid fat: Yes
- Ignition: Piezo + večný plamen

| | | | |
|------------------------|----------|-------------------------------------|--------------------------------|
| SAP Code | 00110076 | Net Weight [kg] | 31.00 |
| Net Width [mm] | 400 | Power gas [kW] | 6.500 |
| Net Depth [mm] | 700 | Type of gas | Natural gas, propane butane |
| Net Height [mm] | 426 | Griddle dimensions [mm x mm] | 520 x 360 |

Technical data sheet



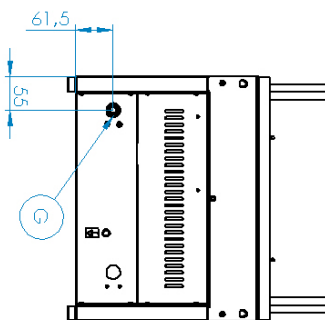
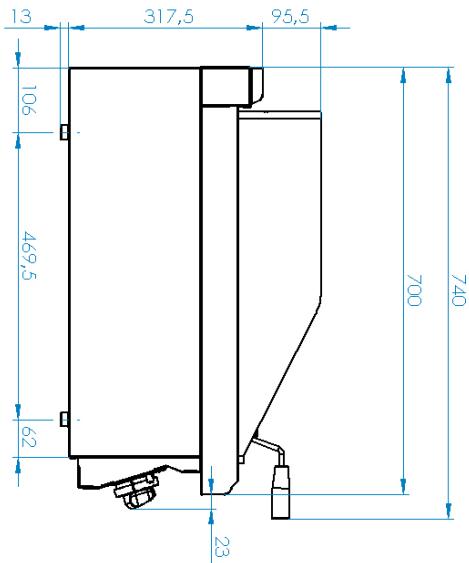
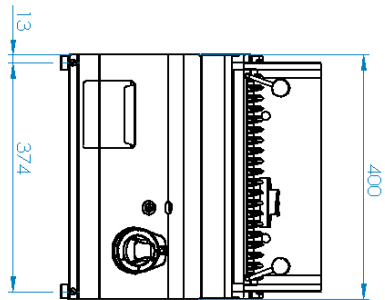
Technical drawing

Lava stone grill gas 52x36 without cabinet

Model

SAP Code

00110076



Technical data sheet



Product benefits

Lava stone grill gas 52x36 without cabinet

Model

SAP Code

00110076

1

All-stainless design

long life
corrosion resistance of the top plate material

- savings on service interventions
- easier and faster operation

2

Degree of protection of the control elements IPX4

maintenance-free system
resistance to splash water
long life

- savings on service interventions
- easy cleaning and maintenance of equipment

3

Outlet for waste liquids

ensures that oil drips into the socket

- easy maintenance
- easy cleaning

4

High detachable hem

better hygienic conditions
preventing grease from splashing onto ancillary equipment

- easy maintenance
- easy cleaning

5

Safety element - thermocouple

safe operation for personnel
there is no overheating and damage to the thallus
long life

- savings on service interventions
- easier and faster operation

Technical data sheet



Technical parameters

Lava stone grill gas 52x36 without cabinet

| | | |
|--------------|-----------------|----------|
| Model | SAP Code | 00110076 |
|--------------|-----------------|----------|

1. SAP Code:

00110076

2. Net Width [mm]:

400

3. Net Depth [mm]:

700

4. Net Height [mm]:

426

5. Net Weight [kg]:

31.00

6. Gross Width [mm]:

460

7. Gross depth [mm]:

820

8. Gross Height [mm]:

604

9. Gross Weight [kg]:

37.50

10. Device type:

Gas unit

11. Construction type of device:

Table top

12. Power gas [kW]:

6.500

13. Ignition:

Piezo + večný plamen

14. Type of gas:

Natural gas, propane butane

15. Protection of controls:

IPX4

16. Material:

Stainless steel

17. Griddle dimensions [mm x mm]:

520 x 360

18. Container for liquid fat:

Yes

19. Removable device container:

No